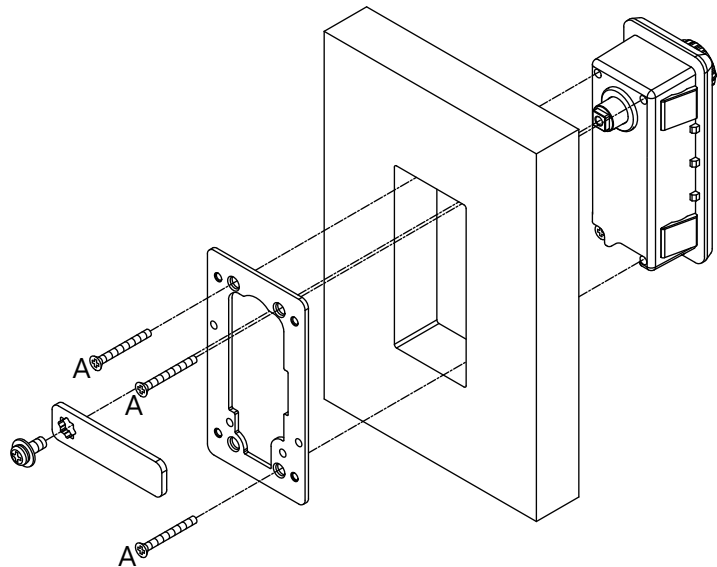
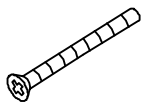


# Installation of Back Plate

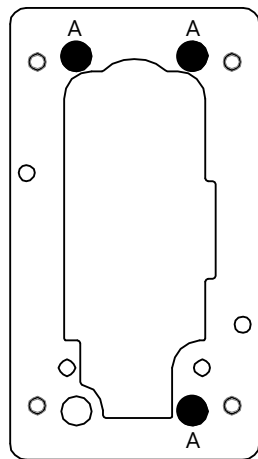
Panel thickness: 20~35mm



A: screw  
3pcs (M3\*40mm)

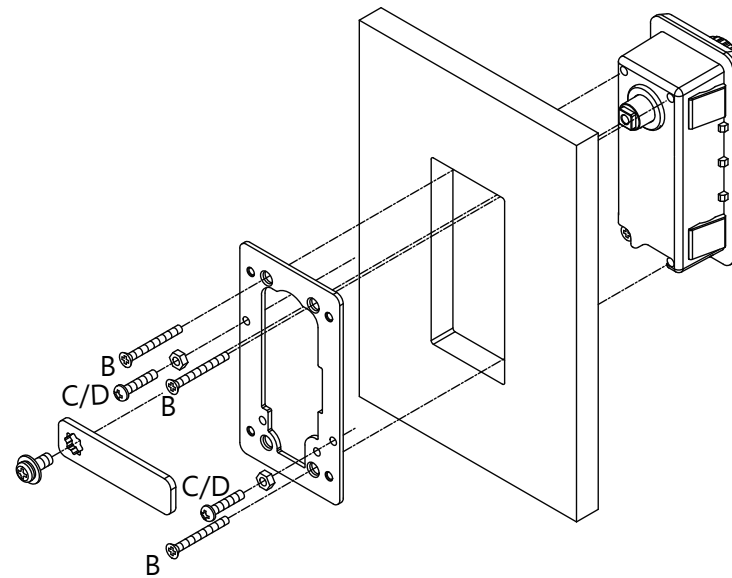


Remarks:  
Please adjust the length  
of screw according to  
the panel thickness  
(20~35mm)

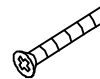


Back plate:1pc  
(4AL24033005N0000)

Panel thickness: 10~19mm



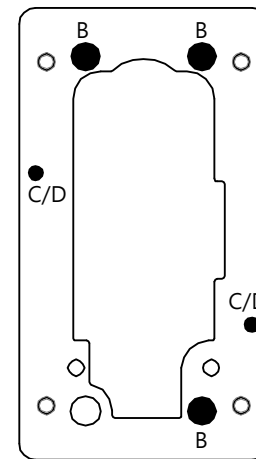
B: screw  
3pcs (M3\*25mm)  
(4SW440302500)



C: screw  
2pcs (M3\*15mm)  
(4SW110301501)



D: nut  
2pcs (M3)  
(4SW010300000)



Back plate:1pc  
(4AL24033005N0000)